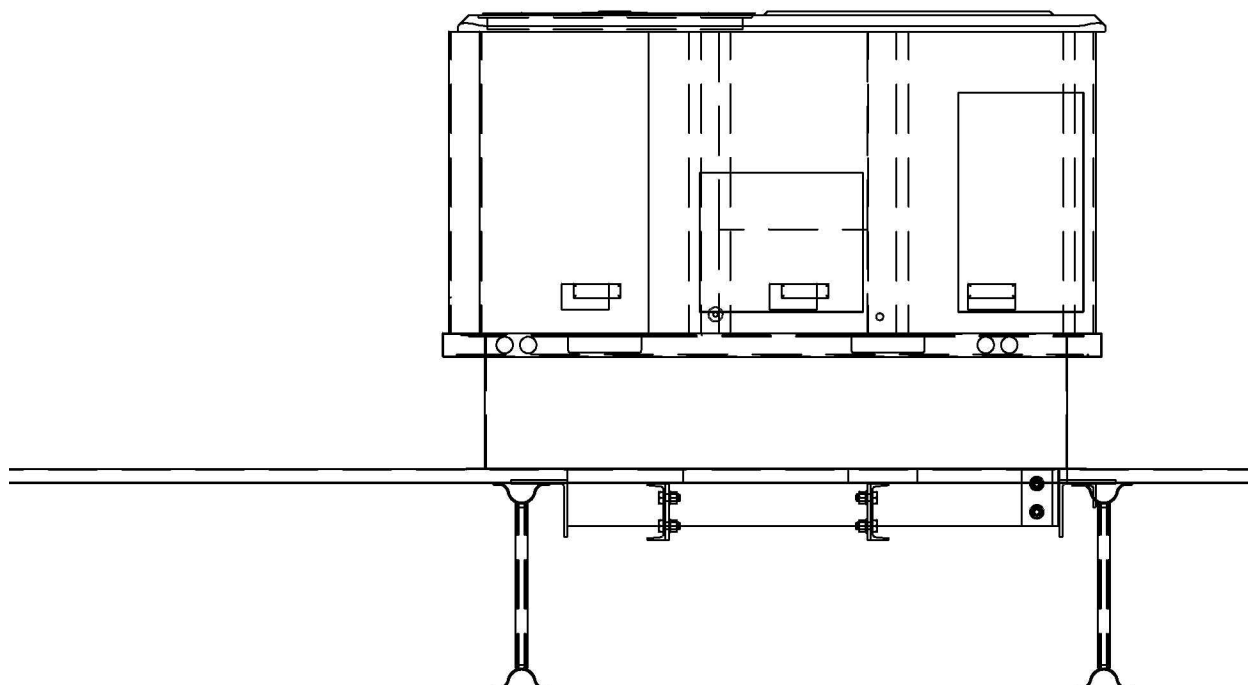
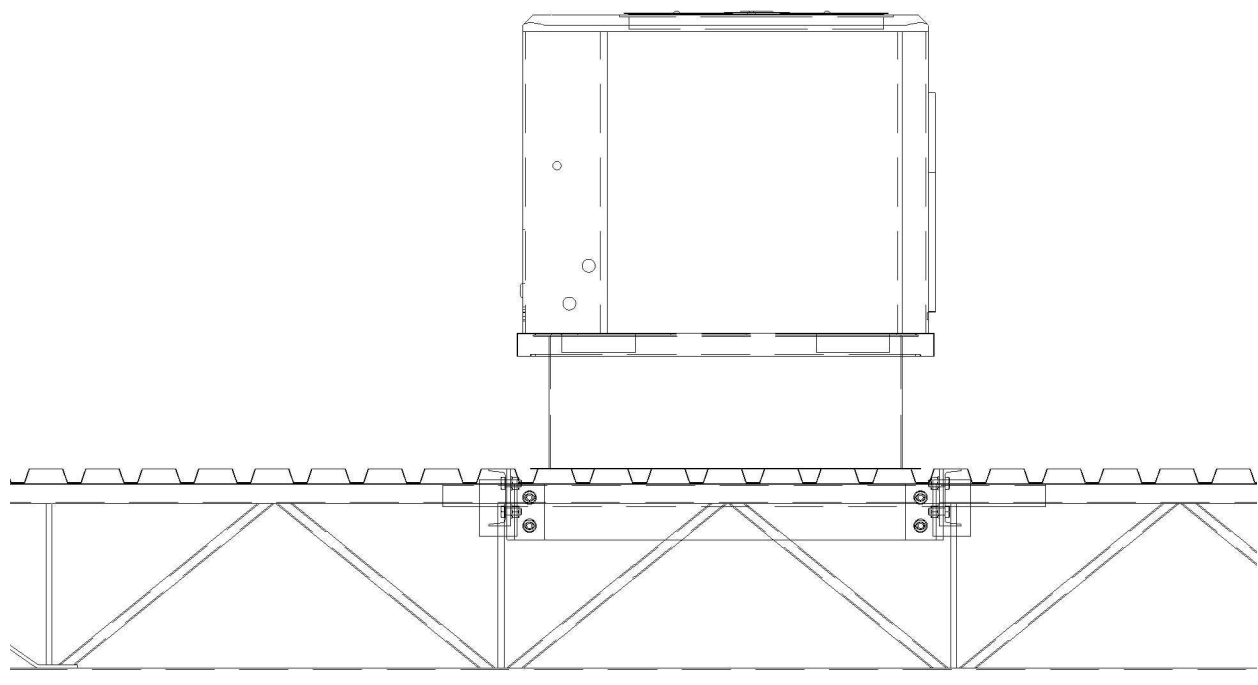
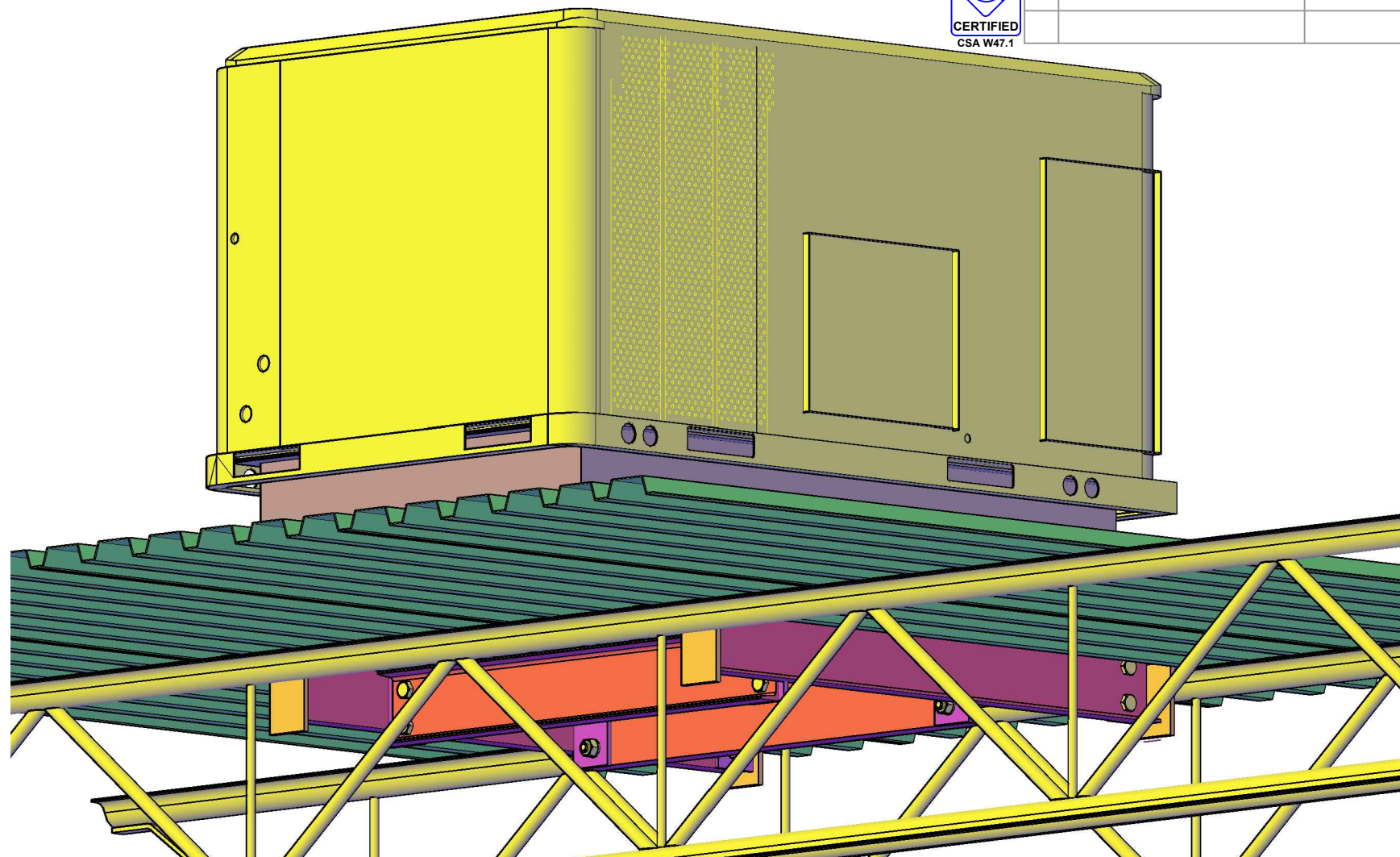
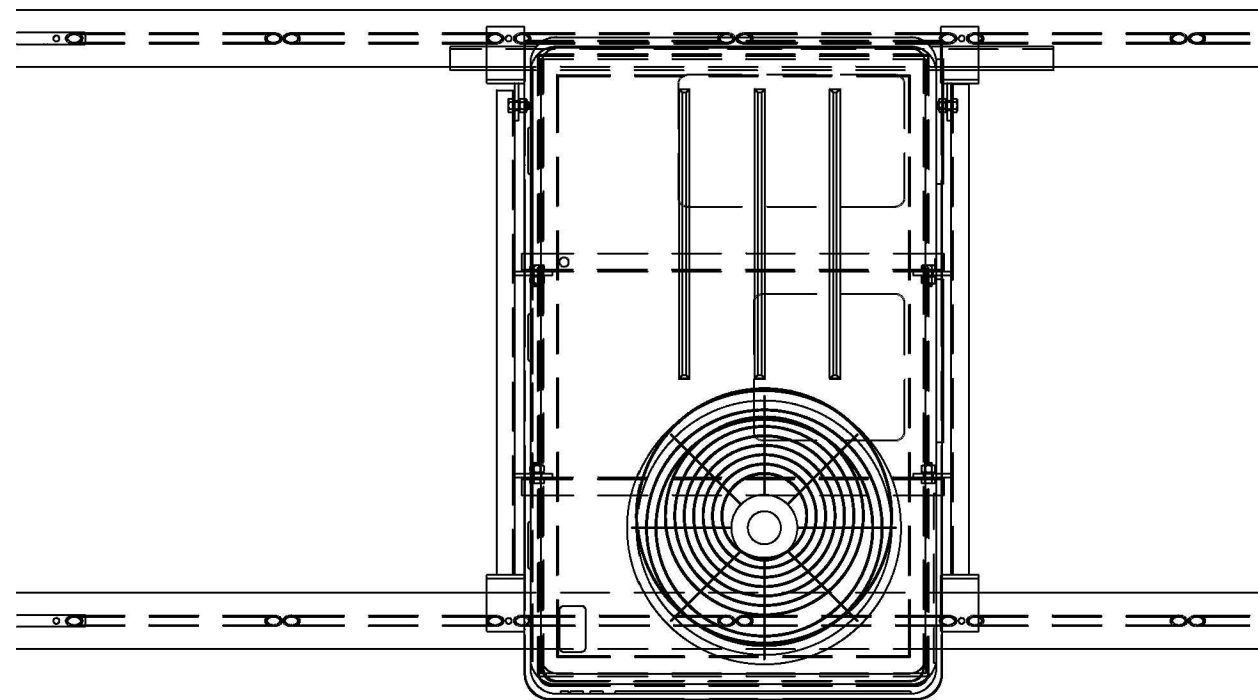




www.stickmanwelding.com Drawing(s) are sole property of SMW and shall not be copied in whole or in part unless an agreement only in writing. Copyright © 2026



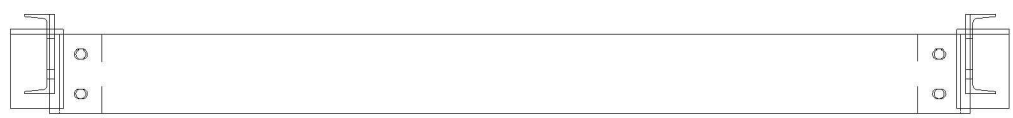
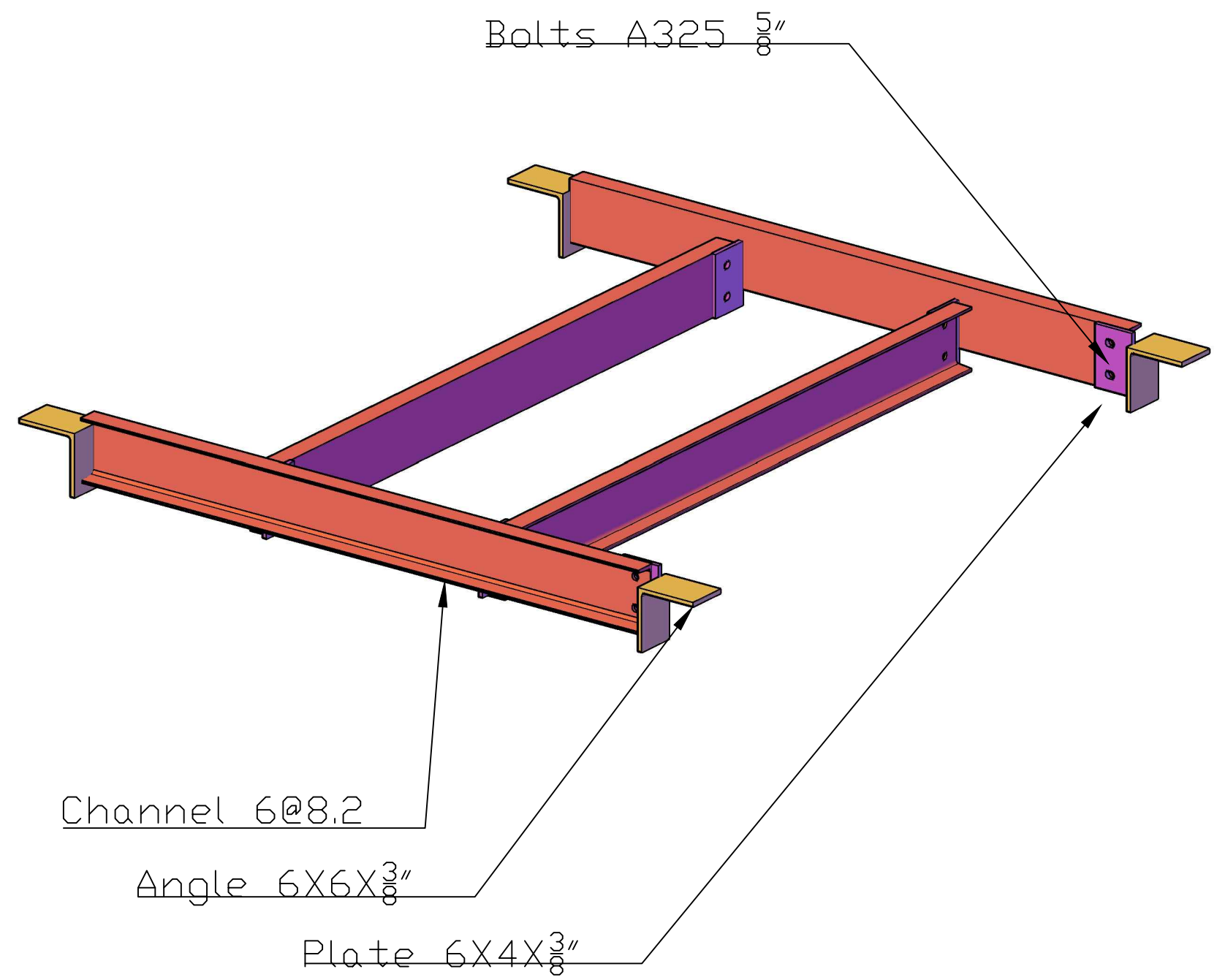
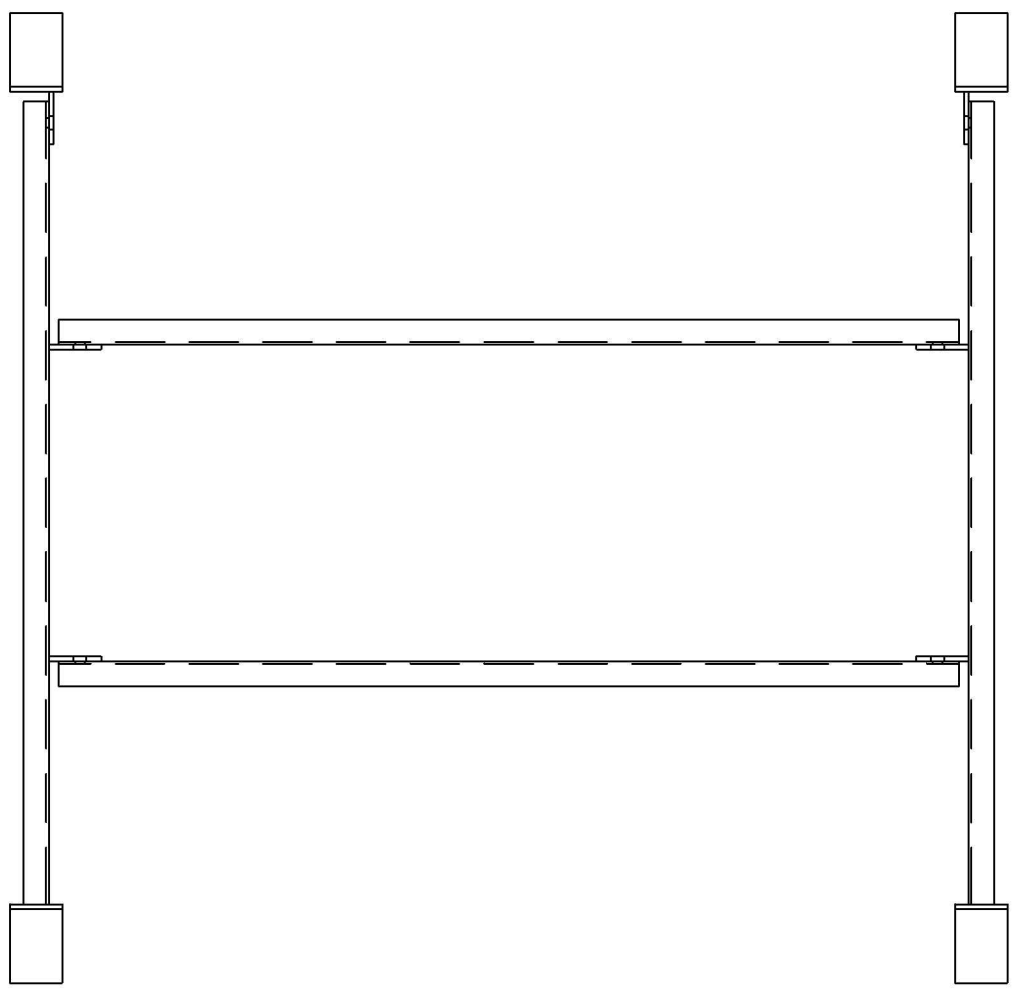
Customer: Your company name here			
Drawing Name: Roof Reinforcement			
Project Name: Commercial Property			
Engineer:			
Date: c.26.01.2026 s.26.01.2026	Drawn By: S.K.	Scale: NTS	Sheet: 1 of 1



Email: info@stickman.ca Office: 403.692.9353 Toll: 1.866.313.9353 shop: 4634c 6A Street NE Calgary, AB T2E 4B5 Mail: PO Box 56131 Airways RPO, Calgary, AB T2E 8K5



www.stickmanwelding.com Drawing(s) are sole property of SMW and shall not be copied in whole or in part unless an agreement only in writing. Copyright © 2026



Full support - for support lower cross cut flute of Q-deck, for large penetrations such as large fans and small MUA/ RTU where complete perimeter loading is not required. most commonly used

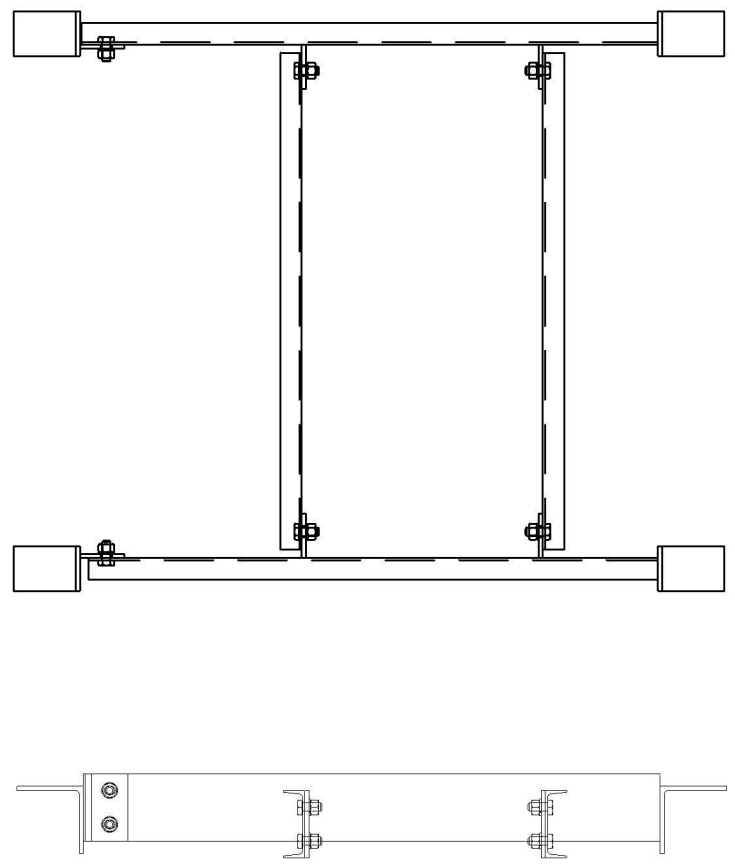
Customer: Your company name here			
Drawing Name: Sample Roof Support			
Project Name: Commercial Property			
Engineer:			
Date: c26.01.2026 s29.01.2026	Drawn By: S.K.	Scale: NTS	Sheet: 1 of 1



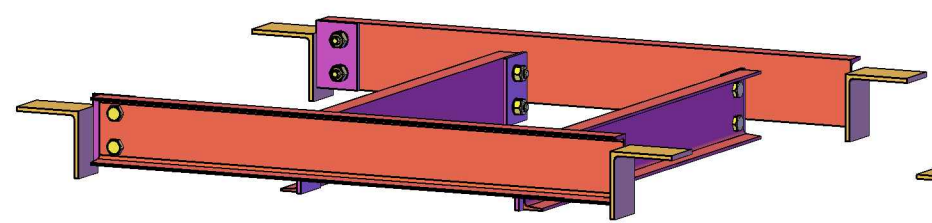
Email: info@stickman.ca Office: 403.692.9353 Toll: 1.866.313.9353 shop: 4634c 6A Street NE Calgary, AB T2E 4B5 Mail: PO Box 56131 Airways RPO, Calgary, AB T2E 8K5



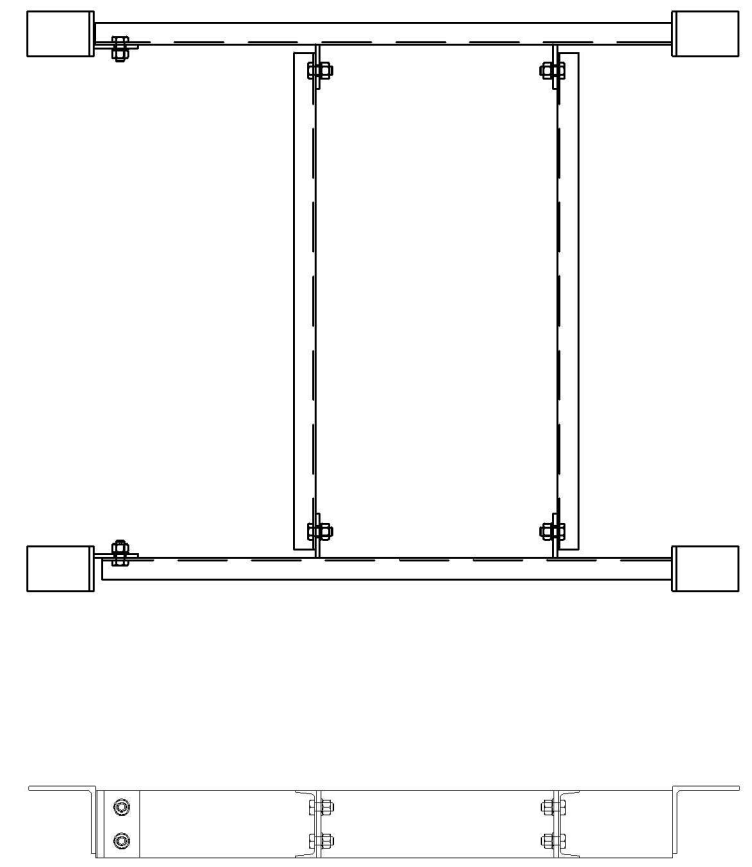
www.stickmanwelding.com Drawing(s) are sole property of SMW and shall not be copied in whole or in part unless an agreement only in writing. Copyright © 2026



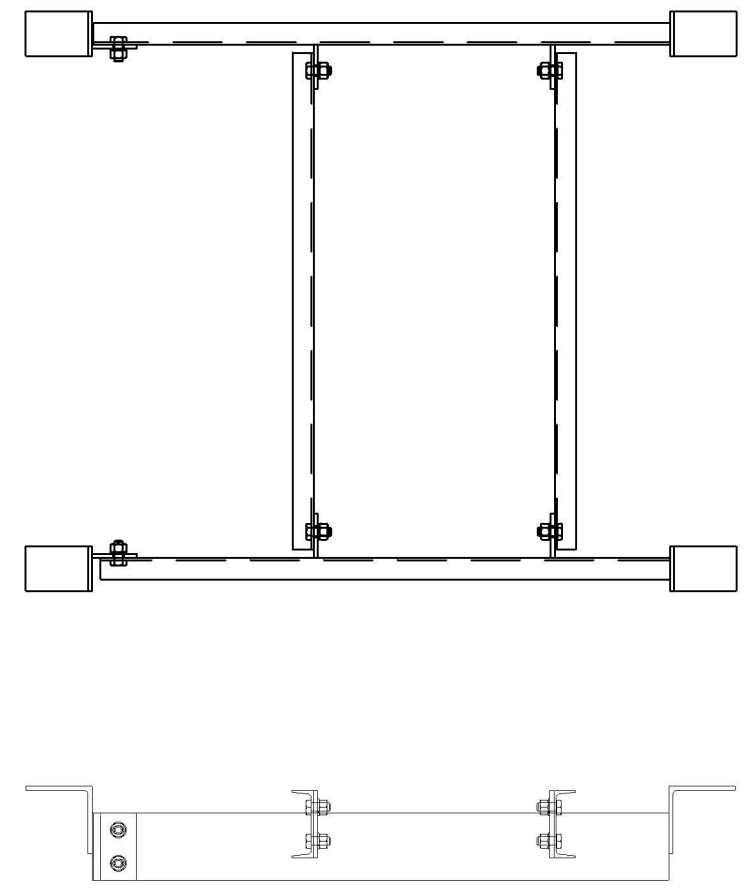
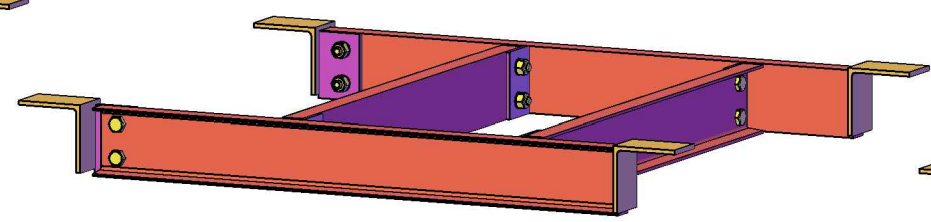
Full Support- Full contact on all members to underside of Q-deck complete uniform support of unit



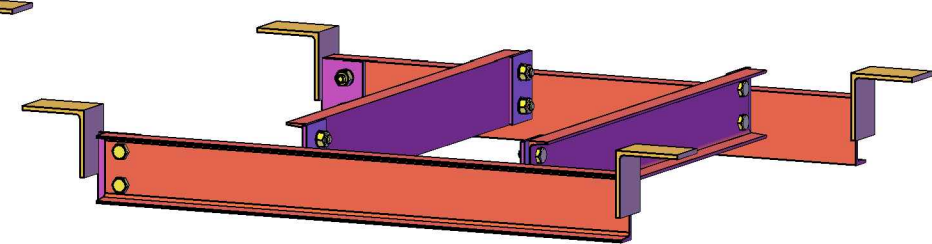
Sample Roof support 6"@Channel



Standard Support- contact on perpendicular cross members to underside of Q-deck supports hole penetration



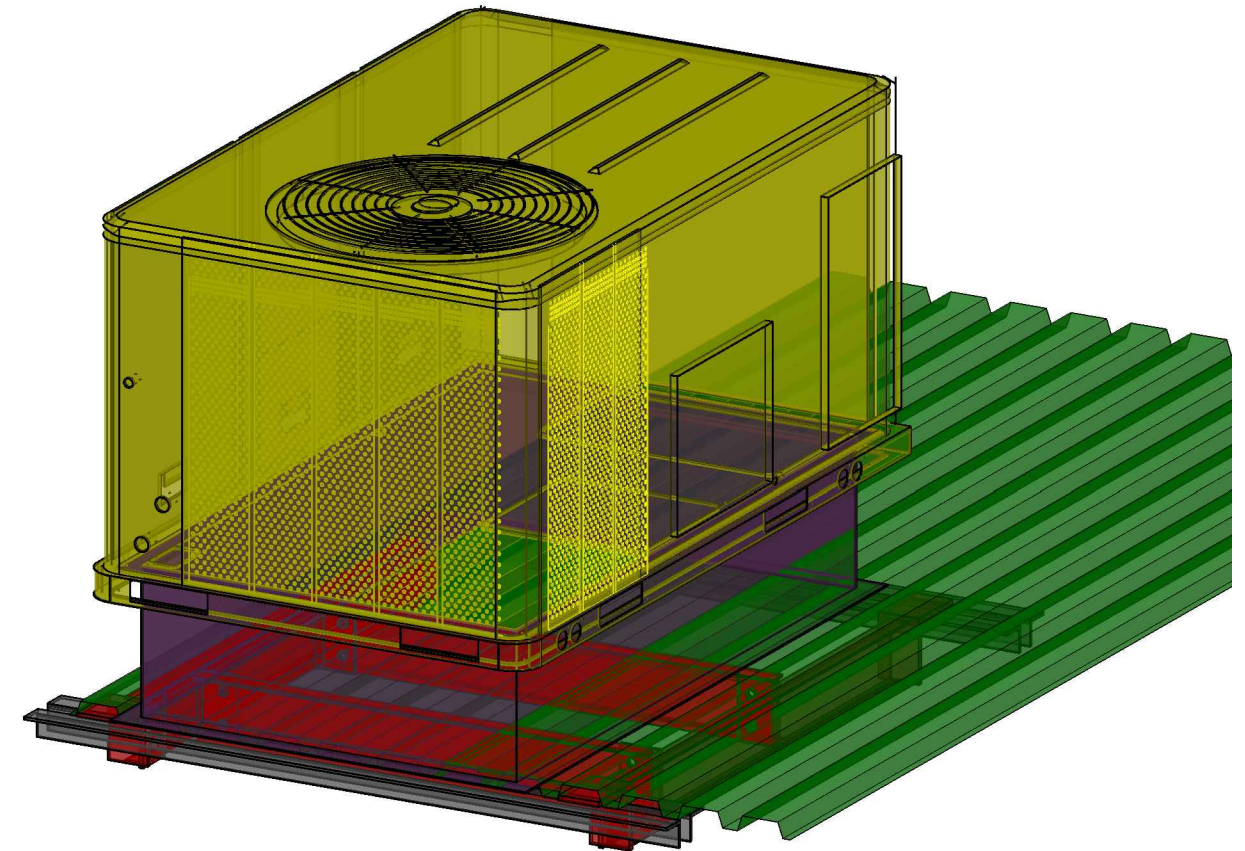
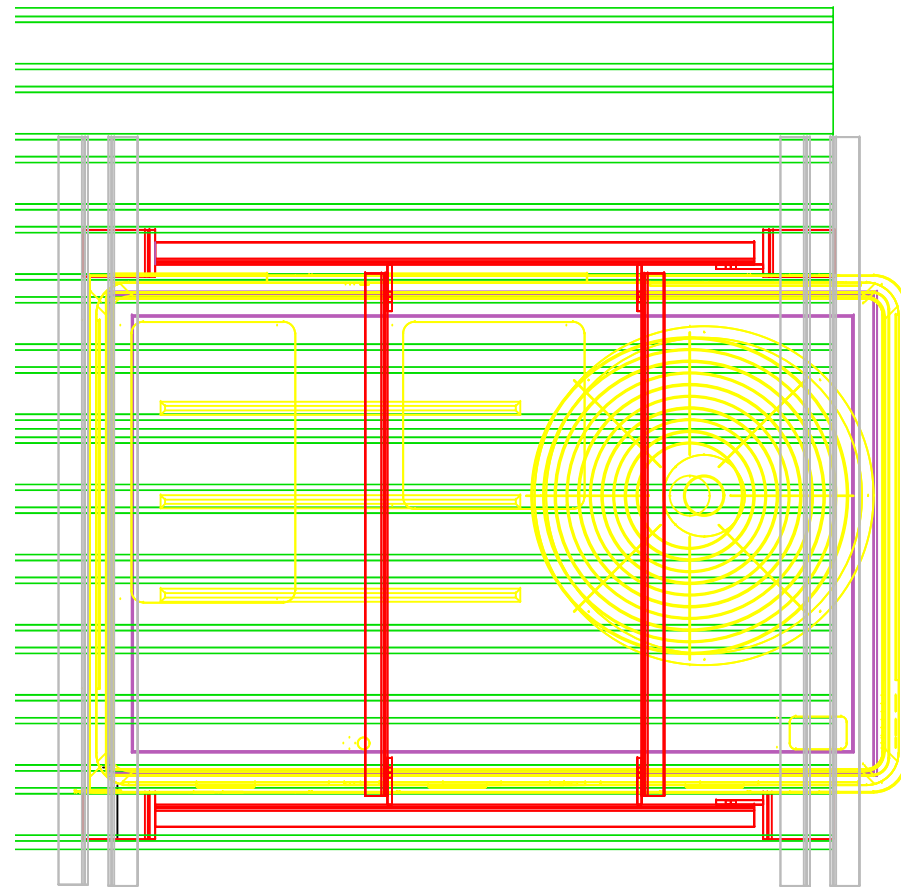
Clearance support -contact on perpendicular cross members to underside of Q-deck. Supports hole penetration and allows electrical and plumbing to stay to reduce relocation cost and saves time.



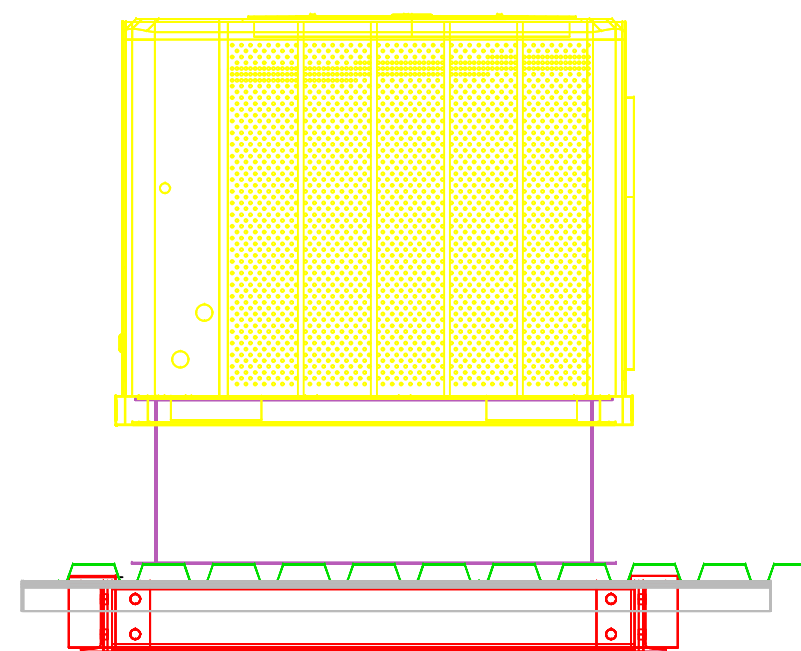
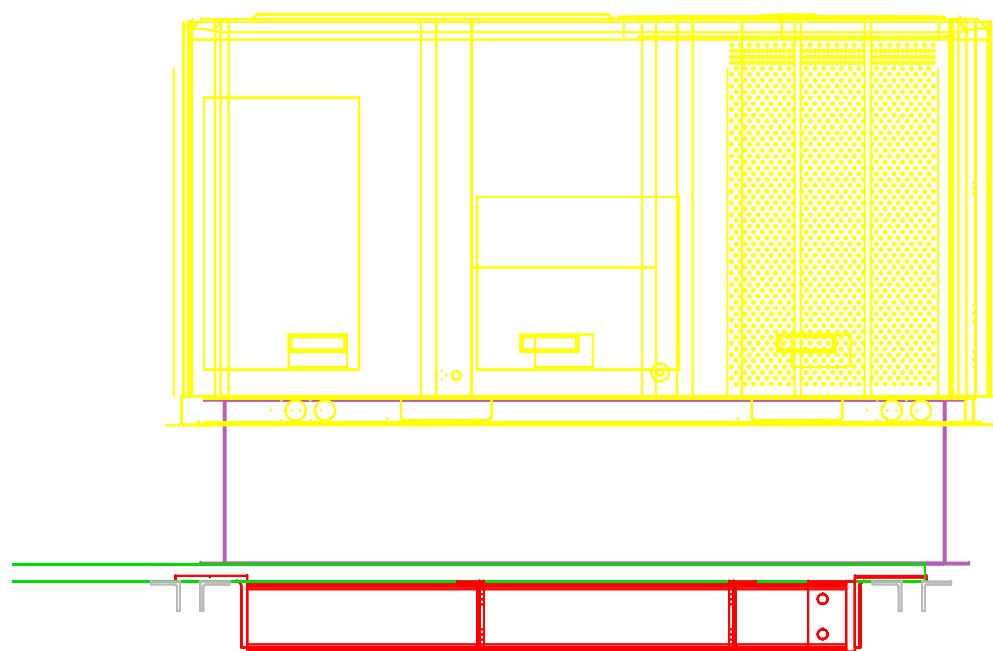
Customer: Your company name here			
Drawing Name: Layout b			
Project Name: Commercial Property			
Engineer:			
Date: c26.01.2026 s29.01.2026	Drawn By: S.K.	Scale: NTS	Sheet: 1 of 1



Email: info@stickman.ca Office: 403.692.9353 Toll: 1.866.313.9353 shop: 4634c 6A Street NE Calgary, AB T2E 4B5 Mail: PO Box 56131 Airways RPO, Calgary, AB T2E 8K5



Sample not for construction - for support lower cross cut flute of Q-deck, for smaller penetrations such as mid/small size fans and AC units where complete perimeter loading is not required. most commonly used for lighter loads



Customer: Your company name here			
Drawing Name: Sample			
Project Name: Commercial Property			
Engineer:			
Date: c.26.01.2026 s.26.01.2026	Drawn By: S.K.	Scale: NTS	Sheet: 1 of 1

